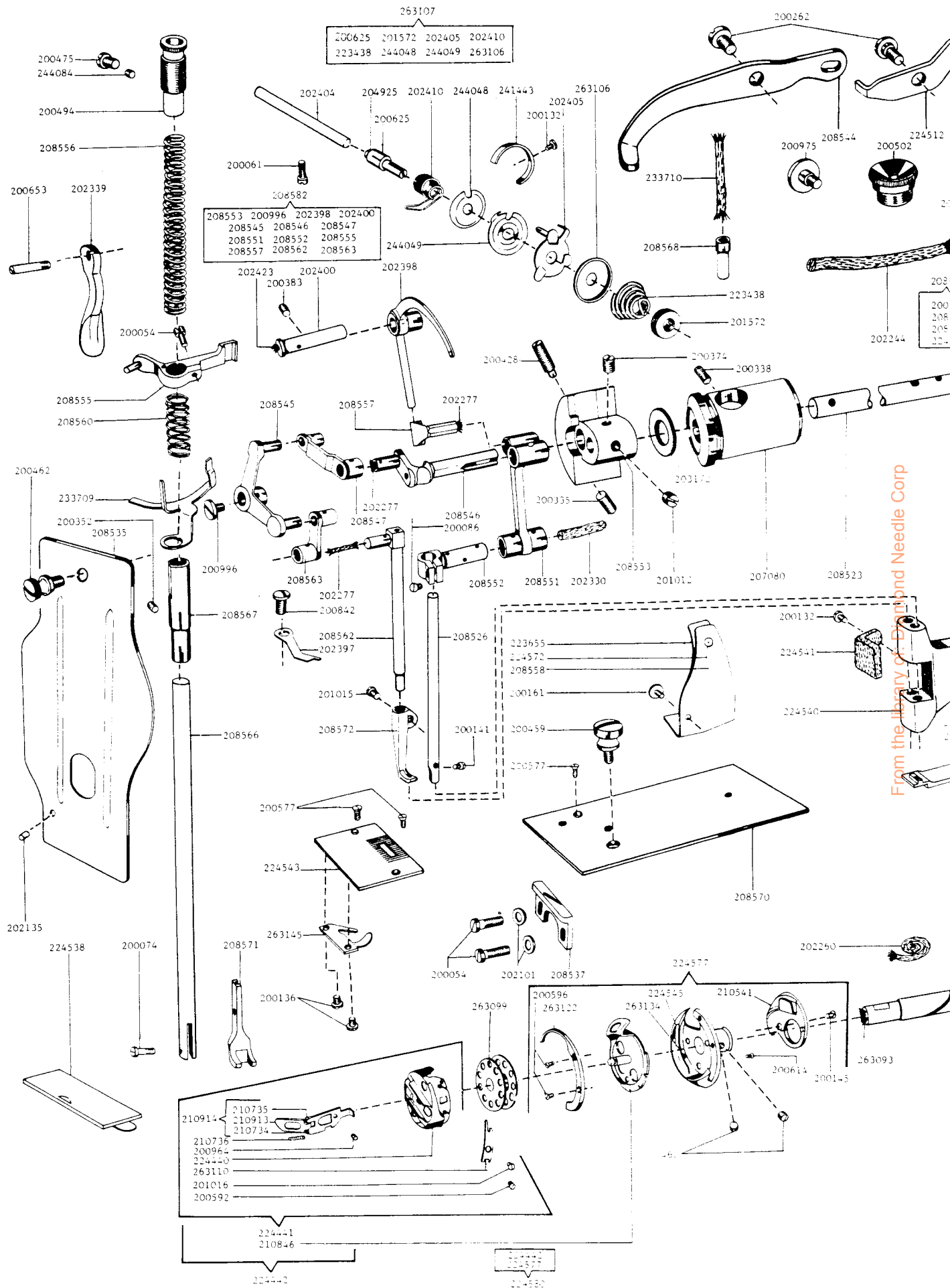
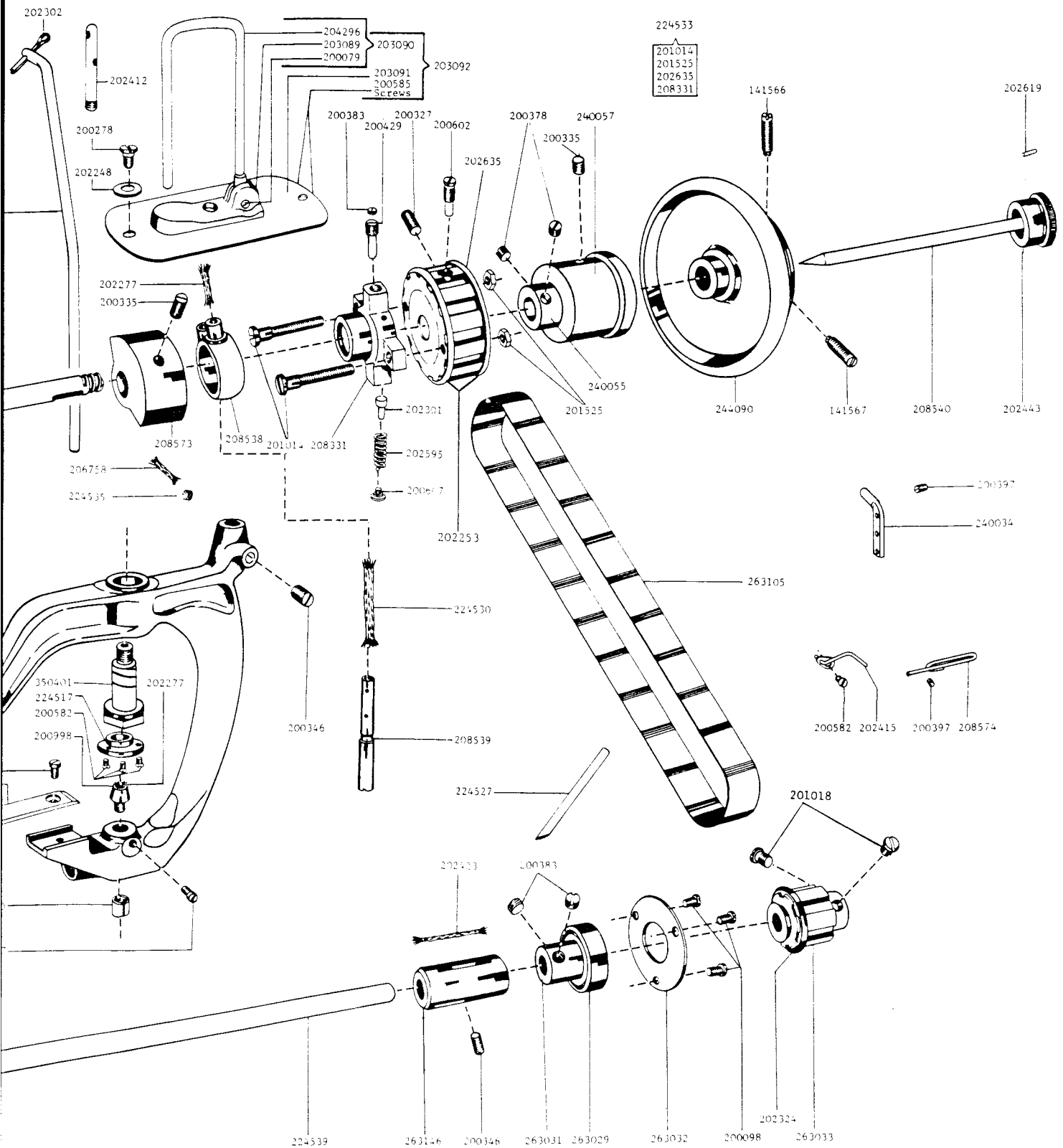


**SINGER**  
**151K1**

# DKI Machine



From the Library of Diamond Needle Corp



From the library of: Diamond Needle Corp

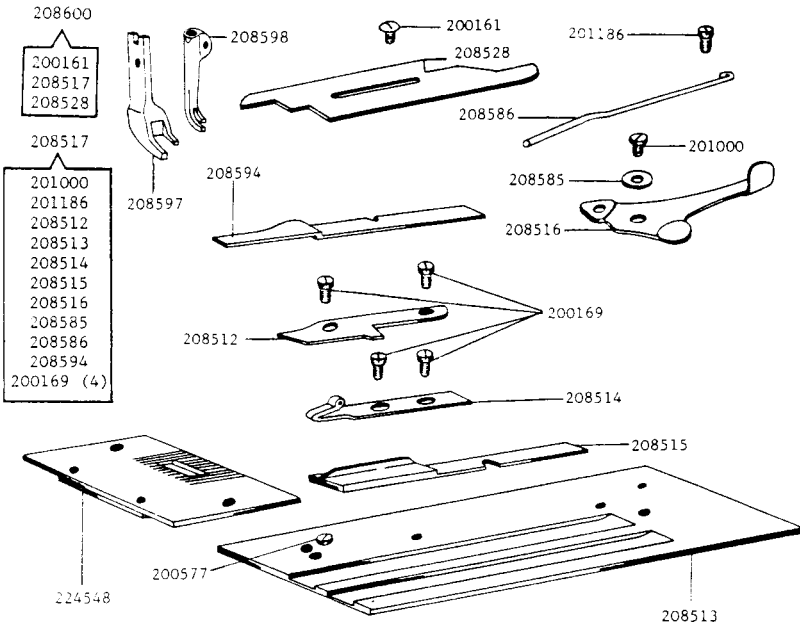
# SINGER 151K1 MACHINE

FORM K6803  
(967)

\*A TRADEMARK OF THE SINGER COMPANY  
COPYRIGHT © 1967 BY THE SINGER COMPANY  
ALL RIGHTS RESERVED THROUGHOUT THE WORLD

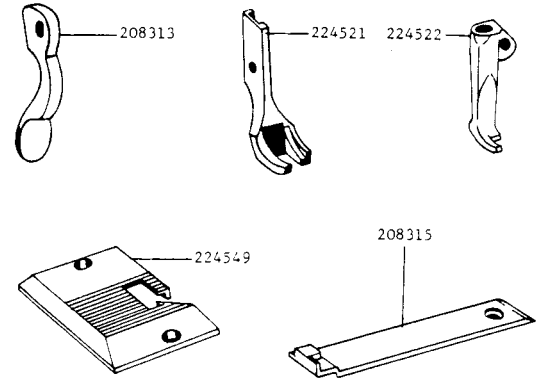
PRINTED IN GREAT BRITAIN

### 151K2 PARTS WHICH DIFFER FROM 151K1

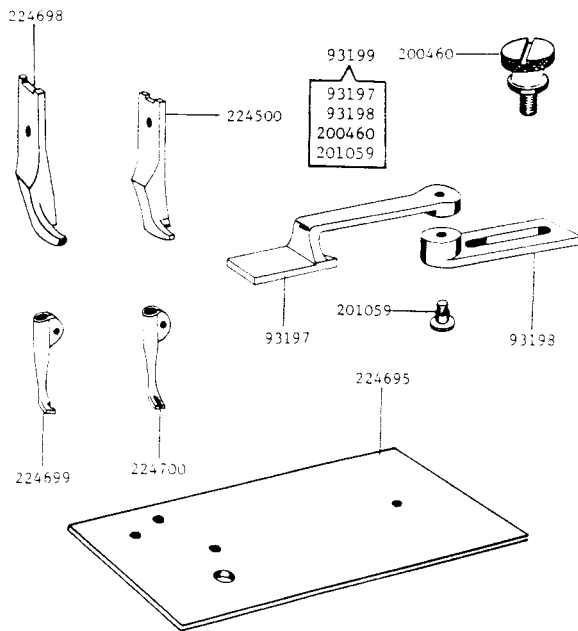


### 151K3 PARTS WHICH DIFFER FROM 151K1

BED PLATE (BACK) 208570 IS SENT WITH THIS MACHINE AS STANDARD UNLESS A BINDER IS SPECIFIED ON ORDER.

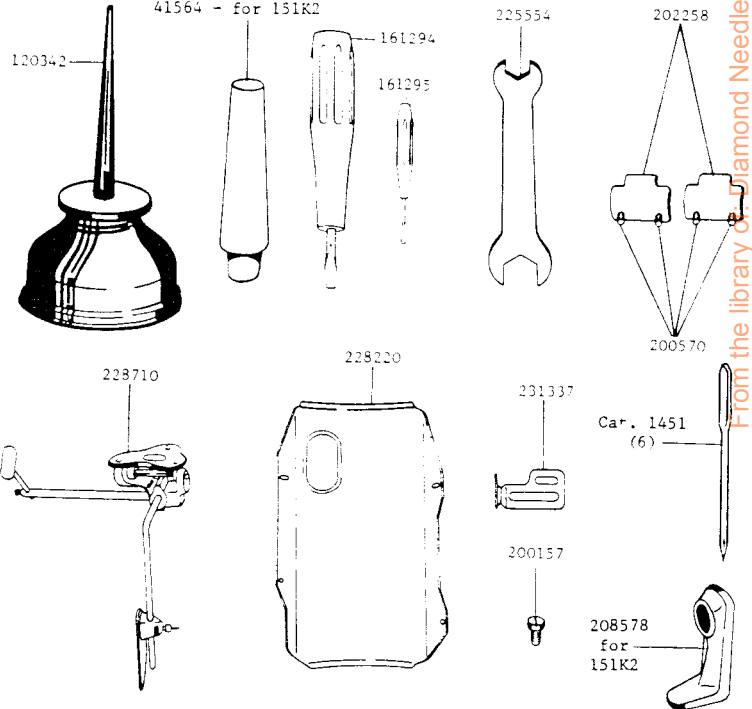


### 151K6 PARTS WHICH DIFFER FROM 151K1

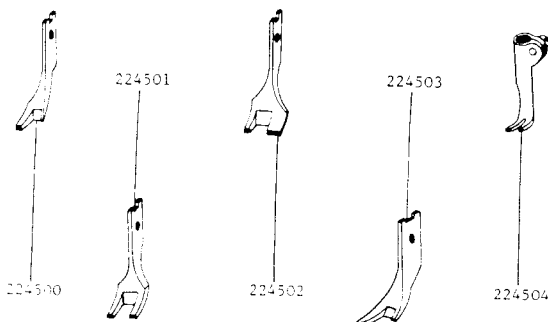


### ACCESSORIES

41400 - for 151K1, 151K3 and 151K6  
41564 - for 151K2



### OPTIONAL PRESSER FEET



NOTE: THREAD UNWINDER NO. 225258 CAN BE SUPPLIED IN PLACE OF SPOOL HOLDER NO. 203090 AT EXTRA CHARGE.

From the library of Diamond Needle Corp

**LIST OF PARTS FOR 151K1 MACHINE**

<u>Part No.</u>	<u>Description</u>	<u>Part No.</u>	<u>Description</u>
462(833)	Hook Set Screw	201572(819)	Tension Thumb Nut
141566(803)	Machine Pulley Position Screw	202101	Needle Plate Slide Plate Screw Washer
141567(803)	Machine Pulley Set Screw	202135	Face Plate Position Pin
200054(803)	Needle Plate Slide Plate Screw	202244	Arm Shaft Bushing (front) Oil Packing (wick)
200054(805)	Presser Bar Lifting Bracket Pinch Screw	202248	Arm Cap Screw Washer
200061(833)	Tension Stud Set Screw	202253	Arm Shaft Connection Belt Pulley Spring Flange
200074(806)	Lifting Presser Foot Screw	202260	Hook Shaft Oil Packing (wick)
200079(819)	Arm Cap Spool Holder Wire Hinge Screw	202277	Feed Driving Connection Oil Packing (wick)
200086(833)	Needle Bar Connecting Stud Pinch Screw	202277	Lifting Bell Crank Driving Crank Oil Packing (wick)
200098(805)	Hook Shaft Ball Bearing Retainer Screw	202277	Needle Bar and Needle Plate Carrier Frame Hinge Screw Stud Oil Packing (wick)
200132(805)	Needle Bar Oil Pad Screw	202277	Take-up Lever Driving Stud Oil Packing (wick)
200132(805)	Thread Controller Spring Stop Screw	202277	Vibrating Presser Bar Oil Packing (wick)
200136(805)	Bobbin Case Stop Screw	202301	Feed Driving Eccentric Regulating Bracket Plunger
200141(806)	Needle Set Screw	202302	Knee Lifter Connection Lever Lifting Rod Cotter Pin
200145(803)	Hook Washer Needle Guard Screw	202324	Hook Shaft Connection Belt Pulley Spring Flange
200161(819)	Take-up Lever Oil Guard Screw	202330	Needle Bar Connecting Stud Oil Packing (wick)
200262(819)	Knee Lifter Connection Lever Hinge Screw	202339	Presser Bar Lifter
200262(819)	Knee Lifter Lifting Lever Hinge Screw	202397	Take-up (auxiliary)
200278(819)	Arm Cap Screw	202398	Take-up Lever
200327(803)	Arm Shaft Connection Belt Pulley Set Screw	202400	Take-up Lever Hinge Stud with 202423
200335(803)	Arm Shaft Bushing (back) Set Screw	202404	Tension Release Plunger
200335(803)	Arm Shaft Counter Balance Set Screw	202405	Tension Release Washer
200335(803)	Needle Bar Crank Set Screw	202410	Thread Controller Spring
200338(803)	Arm Shaft Bushing (front) Set Screw	202412	Thread Guide
200346(803)	Feed Driving Connection Stud Set Screw	202415	Thread Guide
200346(803)	Hook Shaft Bushing (front) Set Screw	202423	Hook Shaft Bushing (front) Oil Packing (wick)
200352(833)	Presser Bar Bushing Set Screw	202423	Take-up Lever Hinge Stud Oil Packing (wick)
200374(833)	Lifting Bell Crank Driving Crank Set Screw	202443	Feed Regulating Spindle Head Pin
200378(803)	Arm Shaft Ball Bearing Collar Set Screw	202595	Feed Driving Eccentric Regulating Bracket Plunger Spring
200383(803)	Feed Driving Eccentric Regulating Screw Check Screw	202619	Feed Regulating Spindle Head Position Pin
200383(803)	Hook Shaft Ball Bearing Collar Set Screw	202635	Arm Shaft Connection Belt Pulley with 200327(803), 200602(803) and two 202253
200397(819)	Take-up Lever Hinge Stud Set Screw	203089	Arm Cap Spool Holder Base
200397(819)	Thread Guide Set Screw	203090	Arm Cap Spool Holder Base 203089 with 200079(819) and 204296
200397(819)	Thread Retainer Set Screw	203091	Arm Cap
200428(803)	Needle Bar Crank Position Screw	203092	Arm Cap and Spool Holder complete, Nos. 203090, 203091 and two 200585(819)
200429(806)	Feed Driving Eccentric Regulating Screw	203172	Needle Bar Crank Friction Washer
200459(804)	Cloth Guide Thumb Screw	204296	Arm Cap Spool Holder Wire
200462(819)	Face Plate Thumb Screw	204925	Tension Stud Washer
200475(819)	Presser Bar Thumb Screw Thumb Set Screw	206758	Needle Bar and Needle Plate Carrier Frame Oil Wick
200494(819)	Presser Bar Thumb Screw (pressure regulating)	207080	Arm Shaft Bushing (front) with 202244
200502(819)	Arm Shaft Bushing (front) Oil Packing Thumb Screw	208331	Feed Driving Eccentric Regulating Bracket
200577(833)	Bed Plate (back) Screw	208523	Arm Shaft
200577(833)	Throat Plate Screw	208526	Needle Bar with 200141(806)
200582(819)	Needle Bar and Needle Plate Carrier Frame Hinge Bearing Screw	208535	Face Plate
200582(819)	Thread Guide Screw	208536	Needle Plate, 53 needle hole, for needle sizes 12 and 13
200585(819)	Arm Cap Spool Holder Base Screw	208537	Needle Plate Slide Plate (adjustable)
200592(803)	Bobbin Case Tension Screw	208538	Feed Driving Connection (bronze) with 202277
200596(806)	Hook Gib Screw	208539	Feed Driving Connection Stud (eccentric) with 224530
200602(803)	Arm Shaft Connection Belt Pulley Position Screw	208540	Feed Regulating Spindle complete
200607(803)	Feed Driving Eccentric Regulating Bracket Plunger Spring Stop Screw	208543	Knee Lifter Connection Lever 224512 with 208544, 208592 and two 200262(819)
200614(803)	Hook Gib Hinge Screw	208544	Knee Lifter Lifting Lever
200625(806)	Tension Stud with 204925	208545	Lifting Bell Crank
200653(803)	Presser Bar Lifter Hinge Screw	208546	Lifting Bell Crank Driving Crank
200842(805)	Take-up (auxiliary) Screw	208547	Lifting Bell Crank Driving Crank Link
200964(803)	Bobbin Case Latch Stop Screw	208550	Needle Bar and Needle Plate Carrier Frame Hinge Screw Stud Bushing (split)
200975(806)	Presser Bar Lifting Bracket Guide Screw	208551	Needle Bar Connecting Link
200996(803)	Lifting Bell Crank Stop Screw	208552	Needle Bar Connecting Stud with 200086(833) and 202330
200997(803)	Needle Bar and Needle Plate Carrier Frame Hinge Screw Stud Bushing Position Screw	208553	Needle Bar Crank with 200335(803), 200374(833), 200428(803) and 201012(803)
200998(803)	Needle Bar and Needle Plate Carrier Frame Hinge Screw Stud	208555	Presser Bar Lifting Bracket with 200054(805)
201012(803)	Lifting Bell Crank Driving Crank Position Screw	208556	Presser Bar Spring
201014(803)	Feed Driving Eccentric Regulating Bracket Hinge Screw	208557	Take-up Lever Driving Stud with 202277
201014(803)	Feed Driving Eccentric Regulating Bracket Stop Screw	208558	Take-up Lever Oil Guard with 200655 and 204570
201015(819)	Vibrating Presser Foot Pinch Screw	208560	Tension Release Slide Spring
201016(803)	Bobbin Case Tension Spring Regulating Screw		
201018(803)	Hook Shaft Connection Belt Pulley Set Screw		
201387(806)	Needle Plate Screw		
201525(805)	Feed Driving Eccentric Regulating Bracket Hinge Screw Nut		
201525(805)	Feed Driving Eccentric Regulating Bracket Stop Screw Nut		

From the library of: Diamond Needle Corp

<u>Part No.</u>	<u>Description</u>	<u>Part No.</u>	<u>Description</u>
208562	Vibrating Presser Bar	263145	Bobbin Case Stop
208563	Vibrating Presser Bar Connecting Link	263146	Hook Shaft Bushing (front) with 202423
208566	Presser Bar with 200074(806)	350401(803)	Needle Bar and Needle Plate Carrier Frame Hinge Screw
208567	Presser Bar Bushing		
208568	Take-up Lever Oil Leader		
208570	Bed Plate (back)		
208571	Lifting Presser Foot		
208572	Vibrating Presser Foot with 201015(819)		
208573	Arm Shaft Counter Balance with 200335(803)		
208574	Thread Guide		
208582	Needle Bar Crank 208553 with 200996(803), 202398, 202400, 208545 to 208547, 208551, 208552, 208555, 208557, 208562 and 208563		
208592	Knee Lifter Connection Lever Lifting Rod with 202302		
210541	Hook Washer Needle Guard	200161(804)	Collar Band Guide Stop Screw
210734	Bobbin Case Latch Lever	200169(802)	Collar Band Guide (lower) Screw
210735	Bobbin Case Latch Fulcrum Pin	200169(802)	Collar Inserting Guide Screw
210736	Bobbin Case Latch Spring	200577(830)	Collar Guide Base Plate Screw
210846	Bobbin Case Base	201000(819)	Collar Guide Switching Lever Hinge Screw
210913	Bobbin Case Latch	201186(804)	Collar Guide Switching Lever Retaining Spring Screw
210914	Bobbin Case Latch 210913 with 210734 and 210735		
223438	Tension Spring	208512	Collar Band Guide (lower) (adjustable)
223655	Take-up Lever Oiling Felt	208513	Collar Guide Base Plate
224440	Bobbin Case Cap with 200592(803), 201016(803) and 263110	208514	Collar Inserting Guide (adjustable)
224441	Bobbin Case Cap complete, Nos. 200964(803), 210736, 210914 and 224440	208515	Collar Inserting Guide Plate
224442	Bobbin Case complete, Nos. 210846 and 224441	208516	Collar Guide Switching Lever
224512	Knee Lifter Connection Lever	208517	Collar Band Guide complete, Nos. 201000(819), 201186(804), 208512 to 208516, 208585, 208586, 208594 and four 200169(802)
224517	Needle Bar and Needle Plate Carrier Frame Hinge Bearing	208528	Collar Band Guide Stop (adjustable)
224527	Oil Leader (brass) (for back hook shaft bearing)	208585	Collar Guide Switching Lever Hinge Screw Washer
224530	Feed Driving Connection Stud Oil Packing (wick)	208586	Collar Guide Switching Lever Retaining Spring
224533	Feed Driving Eccentric Regulating Bracket 208331 with 202635, two each 201014(803) and 201525(805)	208594	Collar Band Guide (upper)
224535	Needle Bar and Needle Plate Carrier Frame Oil Wick Retainer	208597	Lifting Presser Foot
224538	Bed Slide (front)	208600	Collar Band Guide and Stop complete, Nos. 200161(804), 208517 and 208528
224539	Hook Shaft with 263093	208598	Vibrating Presser Foot with 201015(819)
224540	Needle Bar and Needle Plate Carrier Frame with 200346(803), 200997(803) and 208550	224548	Throat Plate with 263145 and two 200136(805)
224541	Needle Bar Oil Pad (felt)		
224543	Throat Plate with 263145 and two 200136(805)		
224545	Hook with 263134 and two 462(833)		
224572	Take-up Lever Oiling Felt Rivet		
224577	Hook 224545 with 200145(803), 200614(803), 210541, 263122 and two 200596(806)		
224580	Hook and Bobbin Case complete, Nos. 224442 and 224577		
233709	Tension Release Slide		
233710	Take-up Lever Oil Leader Packing (wick)		
240034	Thread Retainer		
240055	Arm Shaft Ball Bearing Collar with 249440		
240057	Arm Shaft Bushing (back, ball bearing) complete		
241443	Thread Controller Spring Stop		
244048	Tension Disc (back)		
244049	Tension Disc (front)		
244084	Presser Bar Thumb Screw Thumb Set Screw Packing (fibre)		
244090	Machine Pulley (disc) (aluminium alloy casting) "v" belt groove (outside diam. of belt groove 2.9) with 141566(803) and 141567(803)		
249440	Arm Shaft Ball Bearing (not illustrated)		
263029	Hook Shaft Ball Bearing		
263031	Hook Shaft Ball Bearing Collar with 263029		
263032	Hook Shaft Ball Bearing Retainer		
263033	Hook Shaft Connection Belt Pulley with 202324 and two 201018(803)		
263093	Hook Shaft Oil Wick		
263099	Bobbin		
263105	Arm Shaft Connection Belt		
263106	Tension Spring Washer		
263107	Tension complete, Nos. 200625(806), 201572(819), 202405, 202410, 223438, 244048, 244049 and 263106		
263110	Bobbin Case Tension Spring		
263122	Hook Gib		
263134	Hook Oiling Felt		
		<u>SUPPLEMENTARY PARTS LIST FOR MACHINE 151K2</u>	
		(Same as complete list for Machine 151K1 with the following exceptions)	
		<u>PARTS ADDED</u>	
		200161(804)	Collar Band Guide Stop Screw
		200169(802)	Collar Band Guide (lower) Screw
		200169(802)	Collar Inserting Guide Screw
		200577(830)	Collar Guide Base Plate Screw
		201000(819)	Collar Guide Switching Lever Hinge Screw
		201186(804)	Collar Guide Switching Lever Retaining Spring Screw
		208512	Collar Band Guide (lower) (adjustable)
		208513	Collar Guide Base Plate
		208514	Collar Inserting Guide (adjustable)
		208515	Collar Inserting Guide Plate
		208516	Collar Guide Switching Lever
		208517	Collar Band Guide complete, Nos. 201000(819), 201186(804), 208512 to 208516, 208585, 208586, 208594 and four 200169(802)
		208528	Collar Band Guide Stop (adjustable)
		208585	Collar Guide Switching Lever Hinge Screw Washer
		208586	Collar Guide Switching Lever Retaining Spring
		208594	Collar Band Guide (upper)
		208597	Lifting Presser Foot
		208600	Collar Band Guide and Stop complete, Nos. 200161(804), 208517 and 208528
		208598	Vibrating Presser Foot with 201015(819)
		224548	Throat Plate with 263145 and two 200136(805)
		<u>PARTS REMOVED</u>	
		200459(804)	Cloth Guide Thumb Screw
		200577(833)	Bed Plate (back) Screw
		208570	Bed Plate (back)
		208571	Lifting Presser Foot
		208572	Vibrating Presser Foot with 201015(819)
		224543	Throat Plate with 263145 and two 200136(819)
		<u>SUPPLEMENTARY PARTS LIST FOR MACHINE 151K3</u>	
		(Same as complete list for Machine 151K1 with the following exceptions).	
		<u>PARTS ADDED</u>	
		208313	Presser Bar Lifter
		208315	Needle Plate, 50 needle hole, for needle sizes 14 and 15
		224521	Lifting Presser Foot
		224522	Vibrating Presser Foot, .46 needle hole, with 201015(819)
		224549	Throat Plate with 263145 and two 200136(804)
		<u>PARTS REMOVED</u>	
		200459(804)	Cloth Guide Thumb Screw
		202339	Presser Bar Lifter
		208536	Needle Plate, 53 needle hole, for needle sizes 12 and 13
		208571	Lifting Presser Foot
		208572	Vibrating Presser Foot with 201015(819)
		233709	Tension Release Slide

<u>Part No.</u>	<u>Description</u>
<u>LIST OF CORSET BINDERS FOR 151K3 MACHINE.</u>	
NOTE:- When ordering, state size required. Send a sample of binding and material to be bound.	
208304	Binder complete, .040" opening, for tapes or folded strips from $\frac{1}{4}$ " to $\frac{1}{2}$ " in steps of 1/32"
208306	Binder complete, .35" opening, for tapes or folded strips from $\frac{1}{4}$ " to $\frac{1}{2}$ ", in steps of 1/32"
208310	Binder complete, .45" opening, for tapes or folded strips from $\frac{1}{4}$ " to $\frac{1}{2}$ ", in steps of 1/32"
208312	Binder complete, .025" opening, for tapes or folded strips from $\frac{1}{4}$ " to $\frac{1}{2}$ ", in steps of 1/32"
208320	Binder complete, .030" opening, for tapes or folded strips from $\frac{1}{4}$ " to $\frac{1}{2}$ ", in steps of 1/32"

SUPPLEMENTARY PARTS LIST FOR MACHINE 151K6.

(Same as complete list for Machine 151K1, with the following exceptions).

PARTS ADDED

93197	Guide
93198	Guide Bracket
93199	Guide complete, for Collar and Cuff work, Nos. 200460(819), 201059(803), 93197 and 93198
200460(819)	Guide Bracket Thumb Screw
201059(803)	Guide Hinge Screw
224590	Lifting Presser Foot (packed with accessories)
224695	Guide Base Plate
224698	Lifting Presser Foot
224699	Vibrating Presser Foot with 201015(819)
224700	Vibrating Presser Foot with 201015(819) (packed with accessories)
200577(833)	Guide Base Plate Screw

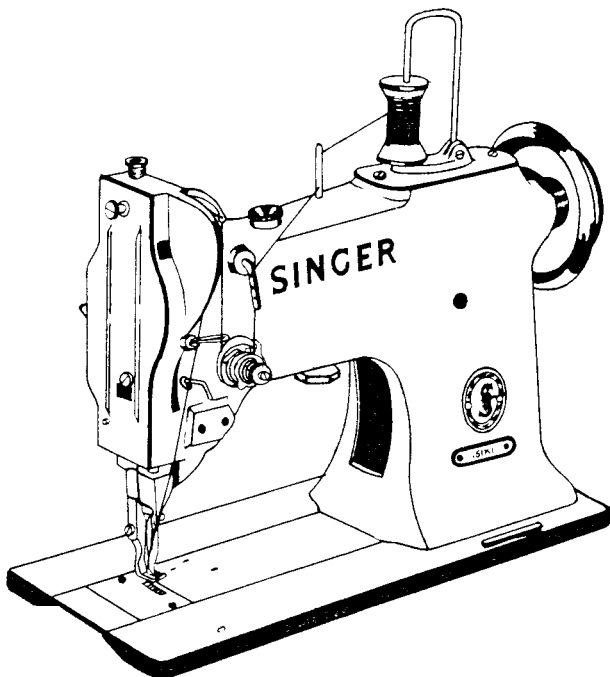
<u>Part No.</u>	<u>Description</u>
<u>PARTS REMOVED</u>	
220577(830)	Bed Plate (back) Screw
208570	Bed Plate (back)
208571	Lifting Presser Foot
208572	Vibrating Presser Foot with 201015(819)

OPTIONAL PRESSER FEET

224500	Lifting Presser Foot for 208572
224501	Lifting Presser Foot for 208572
224502	Lifting Presser Foot for 208572
224503	Lifting Presser Foot for 224504
224504	Vibrating Presser Foot with 201015(819), for 224503

ACCESSORIES

41400	Machine Rest Pin (wood) for 151K1, 151K3 and 151K6 Machines
41564	Machine Rest Pin (wood) for 151K2 Machine
104212	Universal Bobbin Winder complete
120342	Oiler
161294	Screw Driver
161295	Screw Driver (bobbin case)
200157(819)	Attachment Screw
200570(805)	Bed Hinge Connection Screw
202258	Bed Hinge Connection
208578	Drip Pan Button for 151K2 Machine
-	Drip Pan Button Wood Screw, 1" No. 13 for 151K2 Machine
225554	Wrench (steel)
228220	Drip Pan with four 3/4" wire nails
228710	Knee Lifter Rock Lever complete
231337	Cloth Guide
263099	Bobbin
Cat. 1451	Needles (6)



**PARTS CHART**  
 for  
**SINGER**  
**CLASS**  
**151K**  
**MACHINES**